

Innovations

series



Grey
GR



Pure White
PW

* **Tops only finishes**



Autumn Maple
AM



Evening Zen
EZ



Grey Dusk
GD



Hardrock Maple
HM



Royal Mahogany
RM

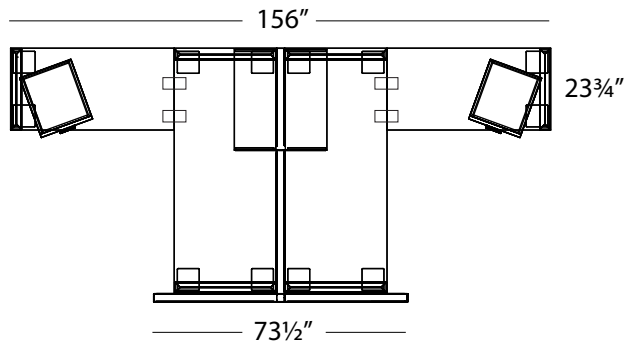


Sugar Maple
SM



Winter Wood
WW

Available Finishes:



Layout #51

INV-3072TOP x 2 72" Rectangular Top

INV-2448TOP x 2 48" Rectangle Top

INV-MPF x 2 21" Mobile Pedestal - Full Carton

INV-CUSH x 2 Mobile Pedestal Seat Cushion

900-LOOP30 x 2 30" Loop Leg

900-LOOP24 x 2 24" Loop Leg

FRM-3048P 48" Tall Panel

FRM-3648P x 2 48" Tall Panel

FRM-4248P 48" Tall Panel

FRM-48SQP-3W Square 3 Way Connecting Post

FRM-OS30 x 2 Overhead Shelf Set

FRM-48PET x 3 Panel End Trim

100-WSCK x 2 Work Surface Connecting Kit

FRM-WSMK x 2 Work Surface Mounting Kit

100-WSB-58 58" Stiffener Bar

100-WSB-40 40" Stiffener Bar

