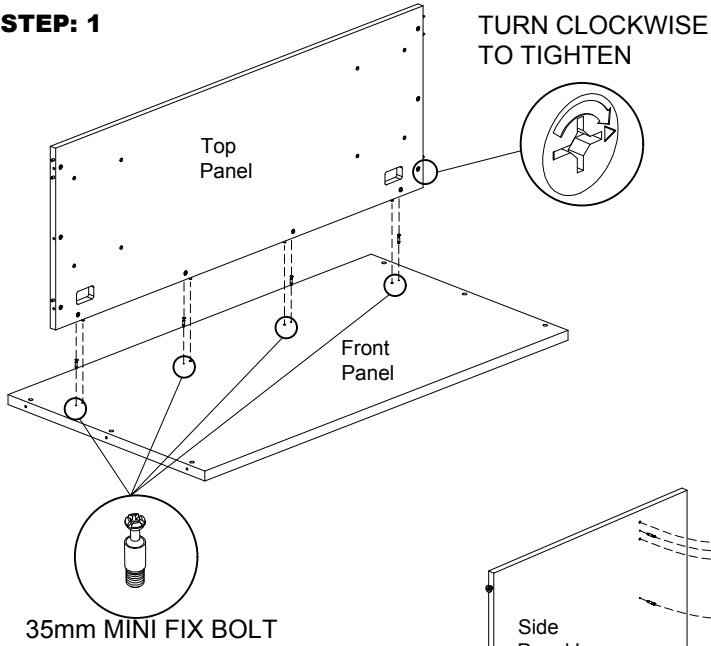
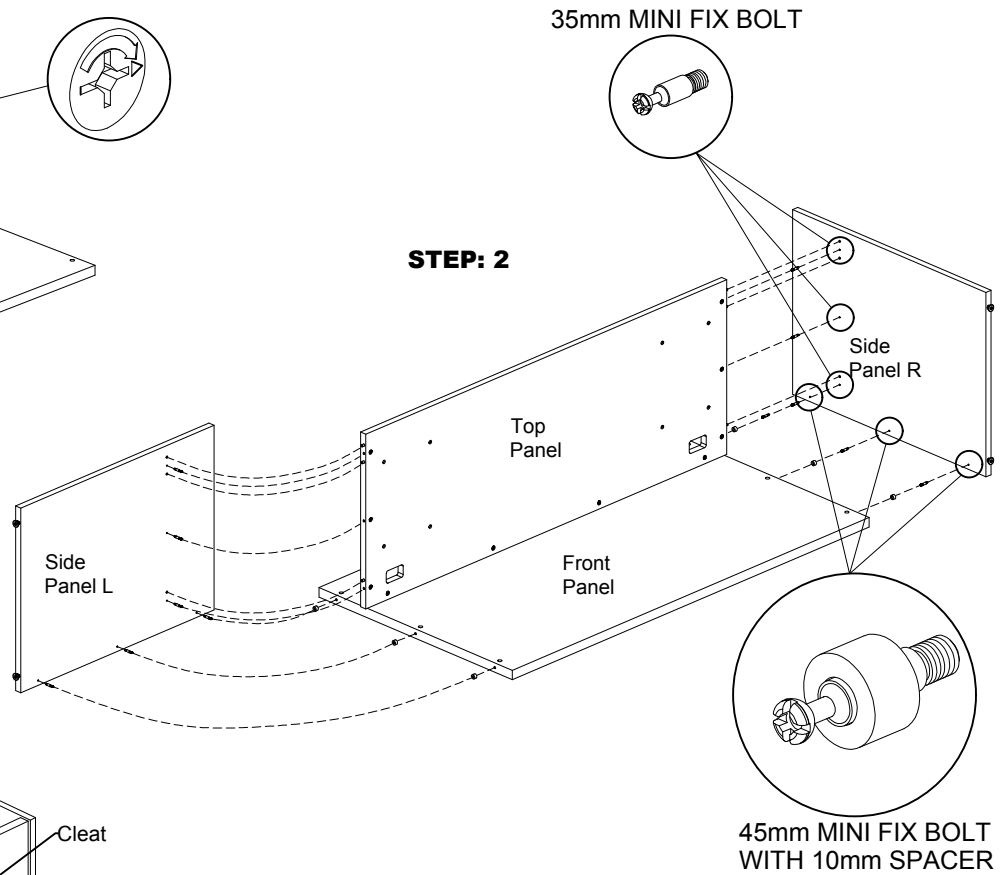


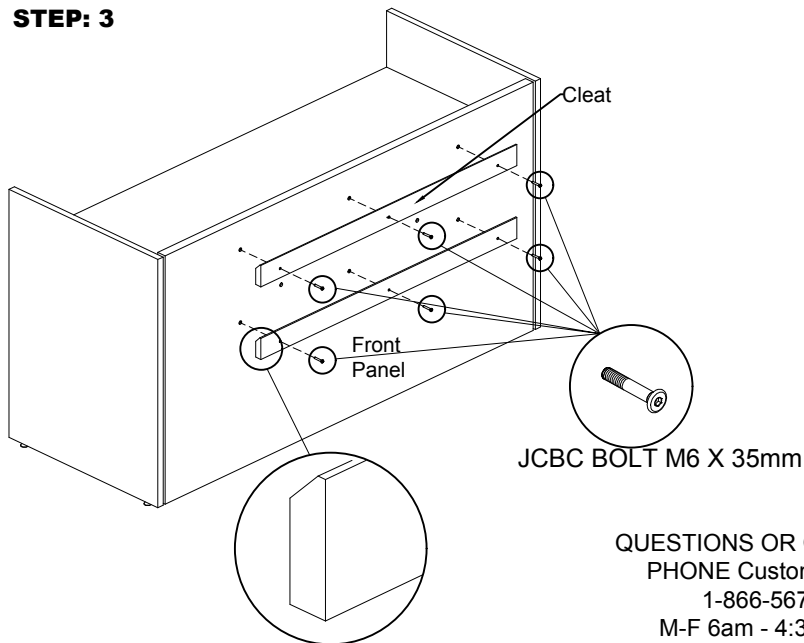
STEP: 1



STEP: 2



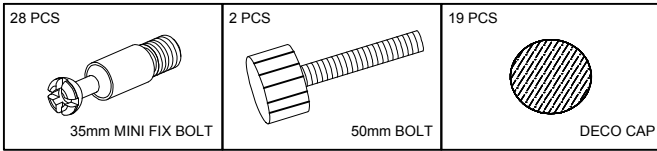
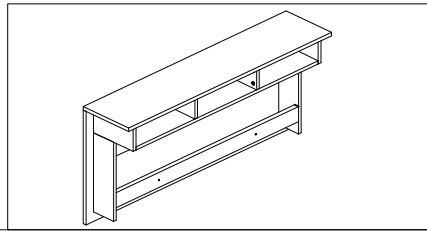
STEP: 3



CAUTION:

OFFICE FURNITURE IS HEAVY. ENSURE THAT YOU HAVE ADEQUATE ASSISTANCE WHEN LIFTING AND MOVING PARTS AND ASSEMBLIES. KEEP HARDWARE OUT OF REACH OF CHILDREN.

QUESTIONS OR CONCERNS ?
PHONE Customer Service
1-866-567-3060
M-F 6am - 4:30 pm PST



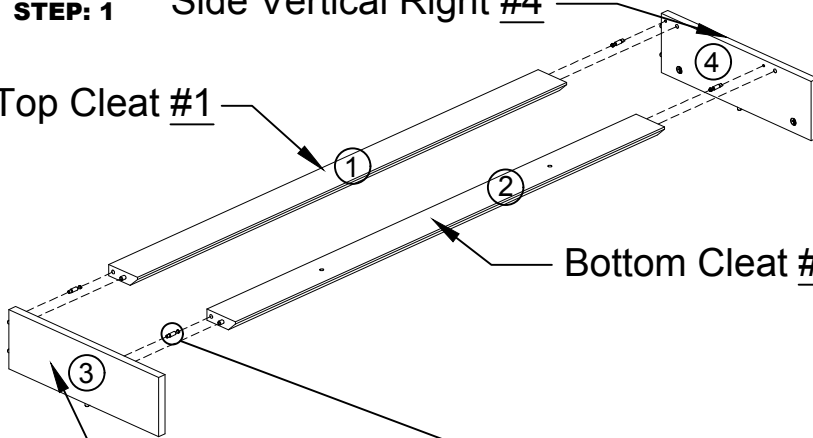
STEP: 1

Side Vertical Right #4

Top Cleat #1

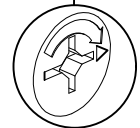
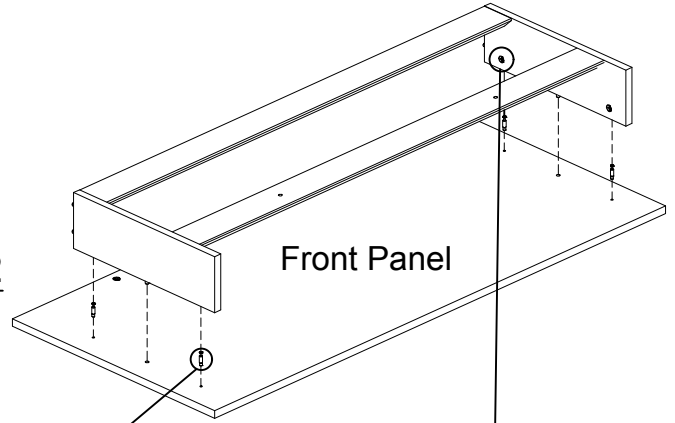
Bottom Cleat #2

Side Vertical Left #3

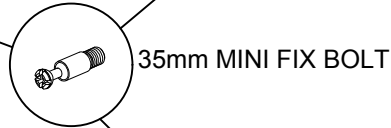


STEP: 2

Front Panel



TURN CLOCKWISE TO TIGHTEN



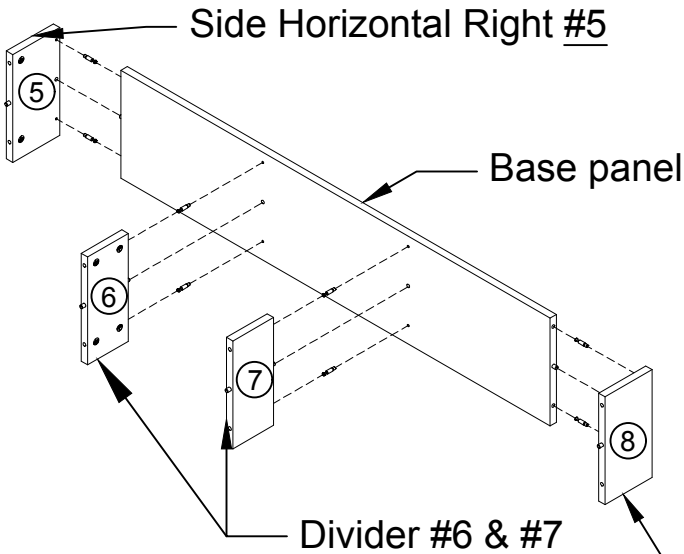
STEP: 3

Side Horizontal Right #5

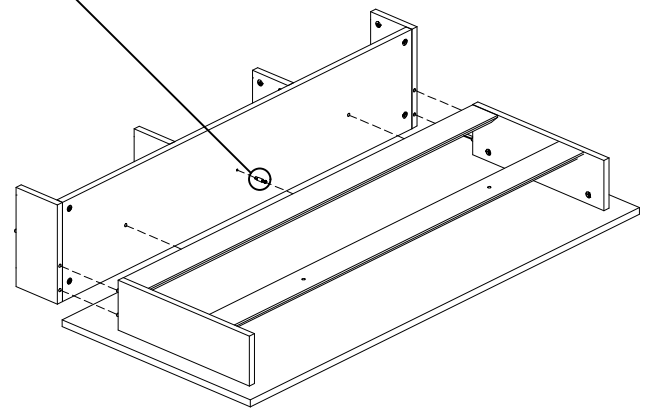
Base panel

Divider #6 & #7

Side Horizontal Left #8



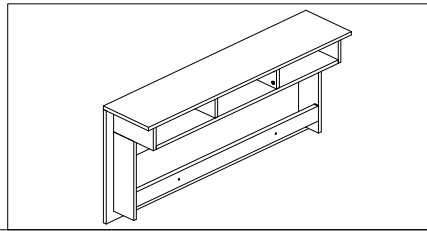
STEP: 4



CAUTION:

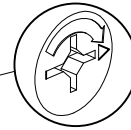
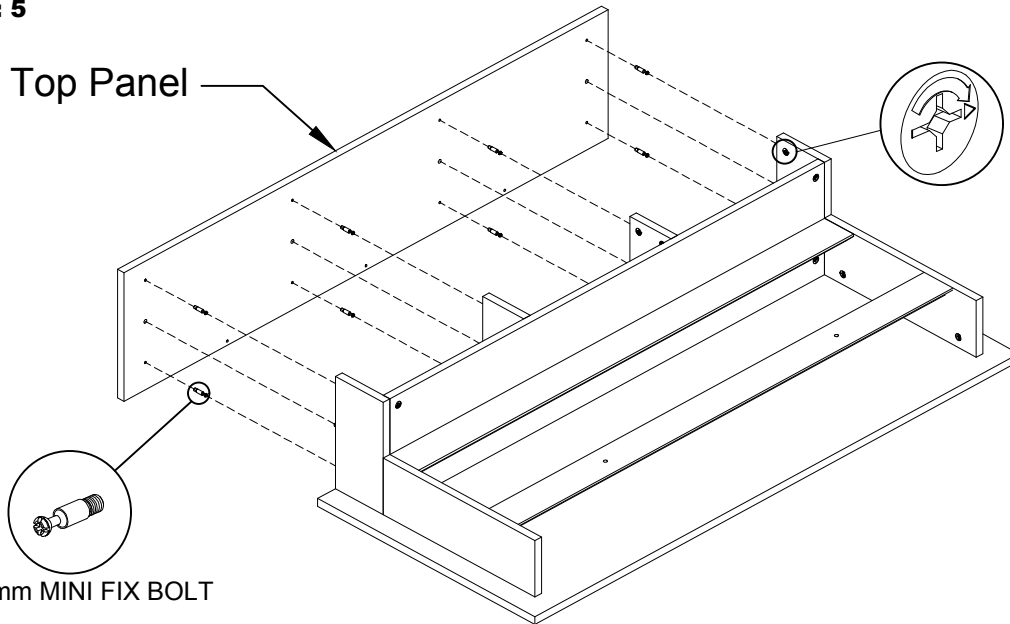
OFFICE FURNITURE IS HEAVY. ENSURE THAT YOU HAVE ADEQUATE ASSISTANCE WHEN LIFTING AND MOVING PARTS AND ASSEMBLIES. KEEP HARDWARE OUT OF REACH OF CHILDREN.

QUESTIONS OR CONCERNS ?
PHONE Customer Service
1-866-567-3060
M-F 6am - 4:30 pm PST



STEP: 5

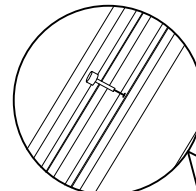
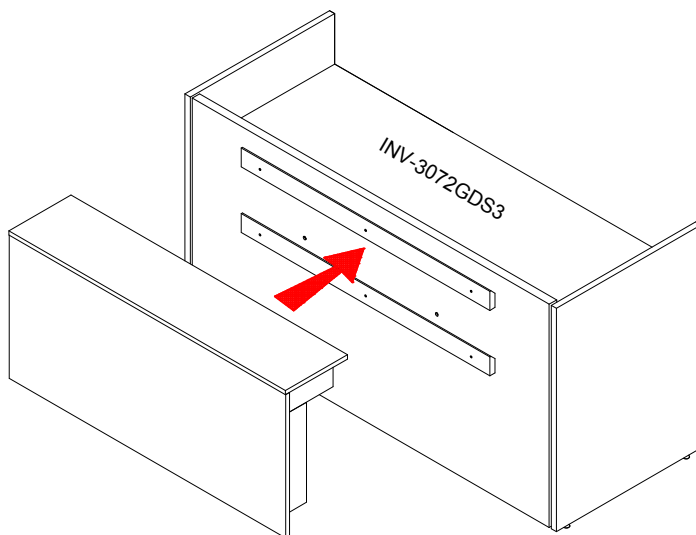
Top Panel



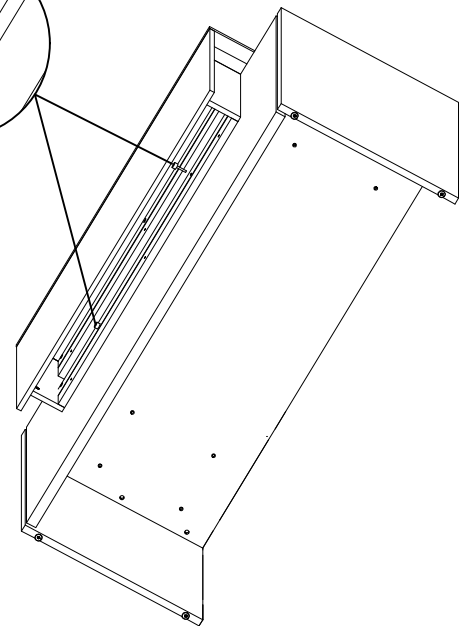
TURN CLOCKWISE
TO TIGHTEN

35mm MINI FIX BOLT

FINAL ASSEMBLY:



50mm BOLT



QUESTIONS OR CONCERNS ?
PHONE Customer Service
1-866-567-3060
M-F 6am - 4:30 pm PST