

# ATLAS SERIES

## SINGLE-LEG ELECTRIC HEIGHT ADJUSTABLE BASE

*Designed to move with you!*



Base shown with 24" x 36" laminate top  
(top sold separately)

### Product specs

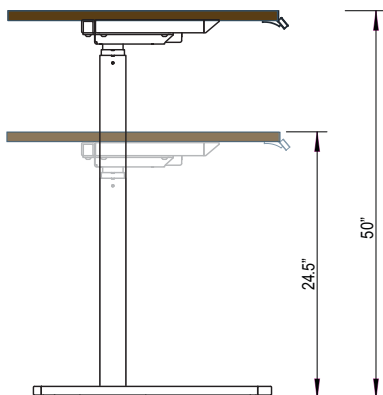
- 3-stage steel frame construction
- Actuator system with a heavy-duty motor driving the single leg
- Adjustable anti-collision function
- CSA/UL Certified
- Quick assembly design
- 4 programmable memory positions
- Operated at 1" per second
- Whisper quiet <55dB
- Max weight capacity: 1 leg base - 130 lbs
- Includes adjustable glides
- Limited lifetime warranty on laminates; 2-year warranty on electric and steel components
- Compatible with modesty or desktop panels
- Product is **IN-STOCK**

### Model #

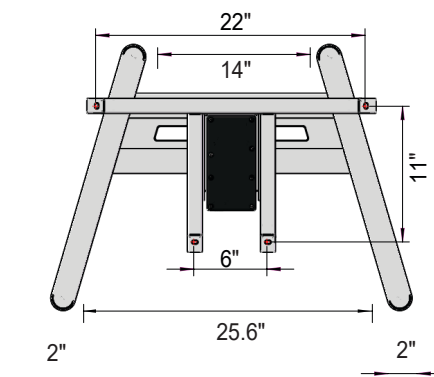
ATL-E1-1LEG

### Height Range

24.5"- 50" (including 1" top)



### Base Sizing



### Available Finish

Silver (SL)



## Optional Caster

### Model #

#### 900-CASTER-M8-MB

- Sold quantity 2 casters - 2 sets (4 casters) required per base
- Durable PVC material
- Safe for use on soft or hard floors
- M8 threaded Stem caster
- Maximum weight 32kg/66lbs per caster



### Top Sizing

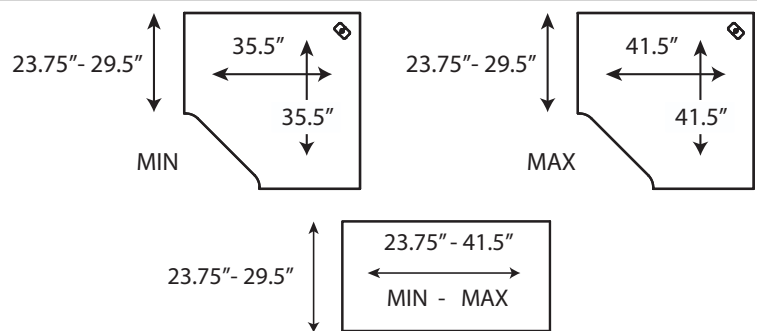
**Width adjustment:** Corner Module

MIN/MAX 35.5/ 35.5" - 41.5"/41.5" top

**Width adjustment:** Rectangle

MIN/MAX 23.75" - 41.5" top

**Foot depth:** 21.75"



## Compatible Laminate Tops

### Model #

INV-SQ24	Square Top	23.75 x 23.75 x 1
INV-SQ36	Square Top	35.5 x 35.5 x 1
INV-SQ36-HP	Square Top	35.5 x 35.5 x 1 (high-pressure white finish only)
INV-2436TOP**	36" Rectangle Top	23.75 x 35.5 x 1
INV-2442TOP	42" Rectangle Top	23.75 x 41.4 x 1

## Available Finishes

