

# Height Adjustable series

Available Laminate Finishes

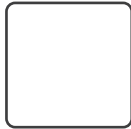
Available Base Finishes:



Black  
BL



Sliver  
SL



White  
WH



Autumn Maple  
AM  
(Shown Below)



Evening Zen  
EZ



Grey Dusk  
GD



Hardrock Maple  
HM



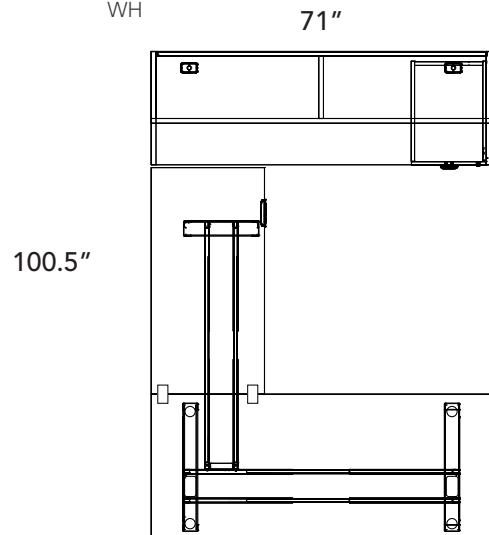
Royal Mahogany  
RM



Sugar Maple  
SM



Winter Wood  
WW



## Layout #10

INV-3672H	Open Hutch
INV-HPF	Hanging Pedestal
INV-2472SH	Credenza Shell
CAL-E1-3LEG	Calypso 3 Leg Base
INV-3072TOP	72" Rectangular Top
INV-2448TOP	48" Rectangle Top
100-MA1	Pneumatic LCD Single Monitor Arm

Please refer to [www.heartwooddl.com](http://www.heartwooddl.com) for current finish options available for this series

