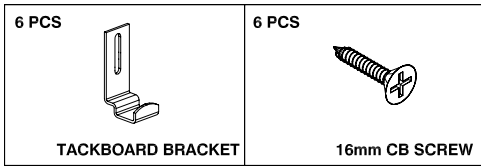


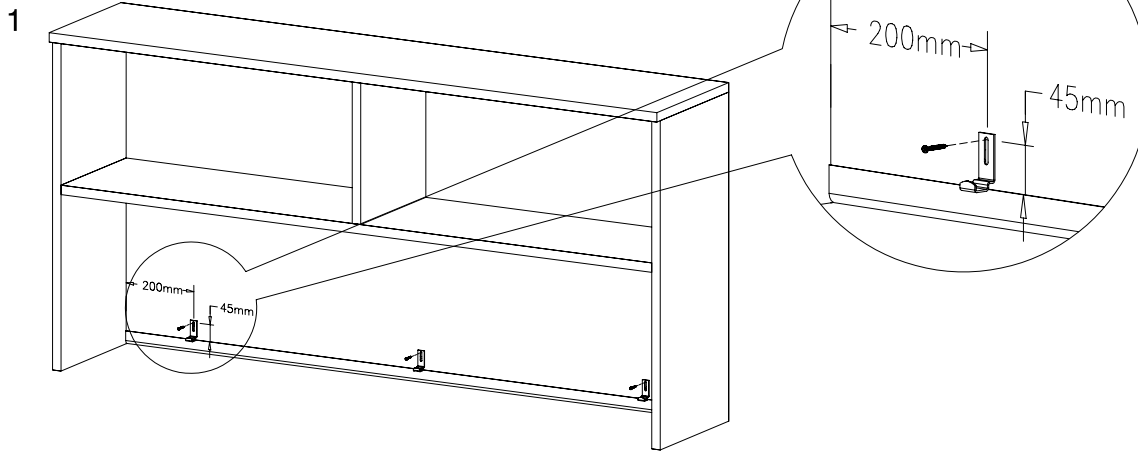
MODEL: INV-3660TB
INV-3666TB
INV-3672TB



CAUTION:

OFFICE FURNITURE IS HEAVY. ENSURE THAT YOU HAVE ADEQUATE ASSISTANCE WHEN LIFTING AND MOVING PARTS AND ASSEMBLIES. KEEP HARDWARE OUT OF REACH OF CHILDREN.

* DIMENSIONS ARE FROM SCREW HOLE TO SCREW HOLE.

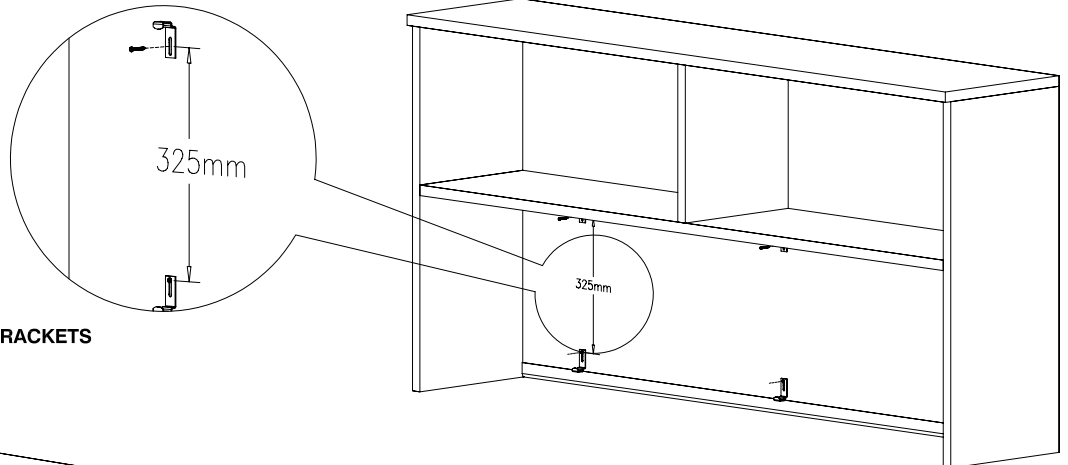


DIMENSIONS APPLY TO BOTH SIDES.

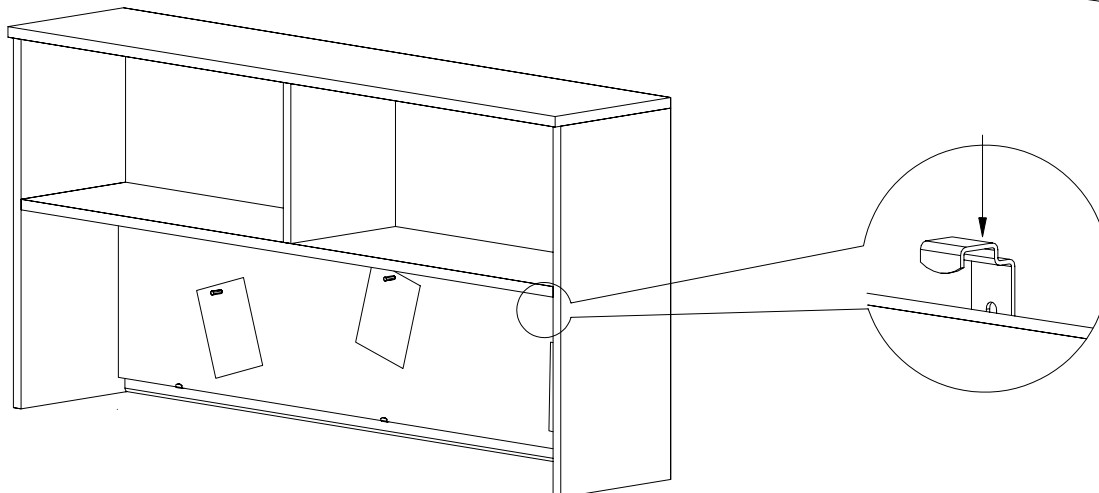
CENTER BRACKET PLACED MID POINT ALONG BACK.

2

TIGHTEN UPPER SCREWS ENOUGH TO HOLD BRACKET IN PLACE, BUT STILL ALLOW IT TO SLIDE.



3 PLACE TACKBOARD ON LOWER BRACKETS



PUSH DOWN UPPER BRACKETS TO LOCK IN TACKBOARD.

QUESTIONS OR CONCERNS ?
PHONE Customer Service
1-866-567-3060
M-F 7am - 4:30 pm PST