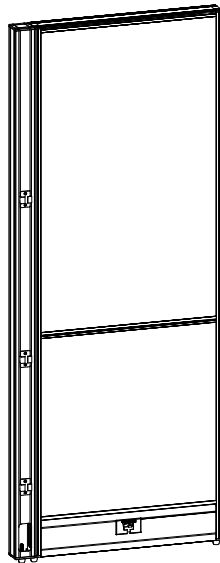


## PANEL TO CONNECTING POST INSTALLATION MODELS:

**CAUTION:**  
OFFICE FURNITURE IS HEAVY. ENSURE THAT YOU HAVE ADEQUATE ASSISTANCE WHEN LIFTING AND MOVING PARTS AND ASSEMBLIES. KEEP HARDWARE OUT OF REACH OF CHILDREN



**PANELS:**

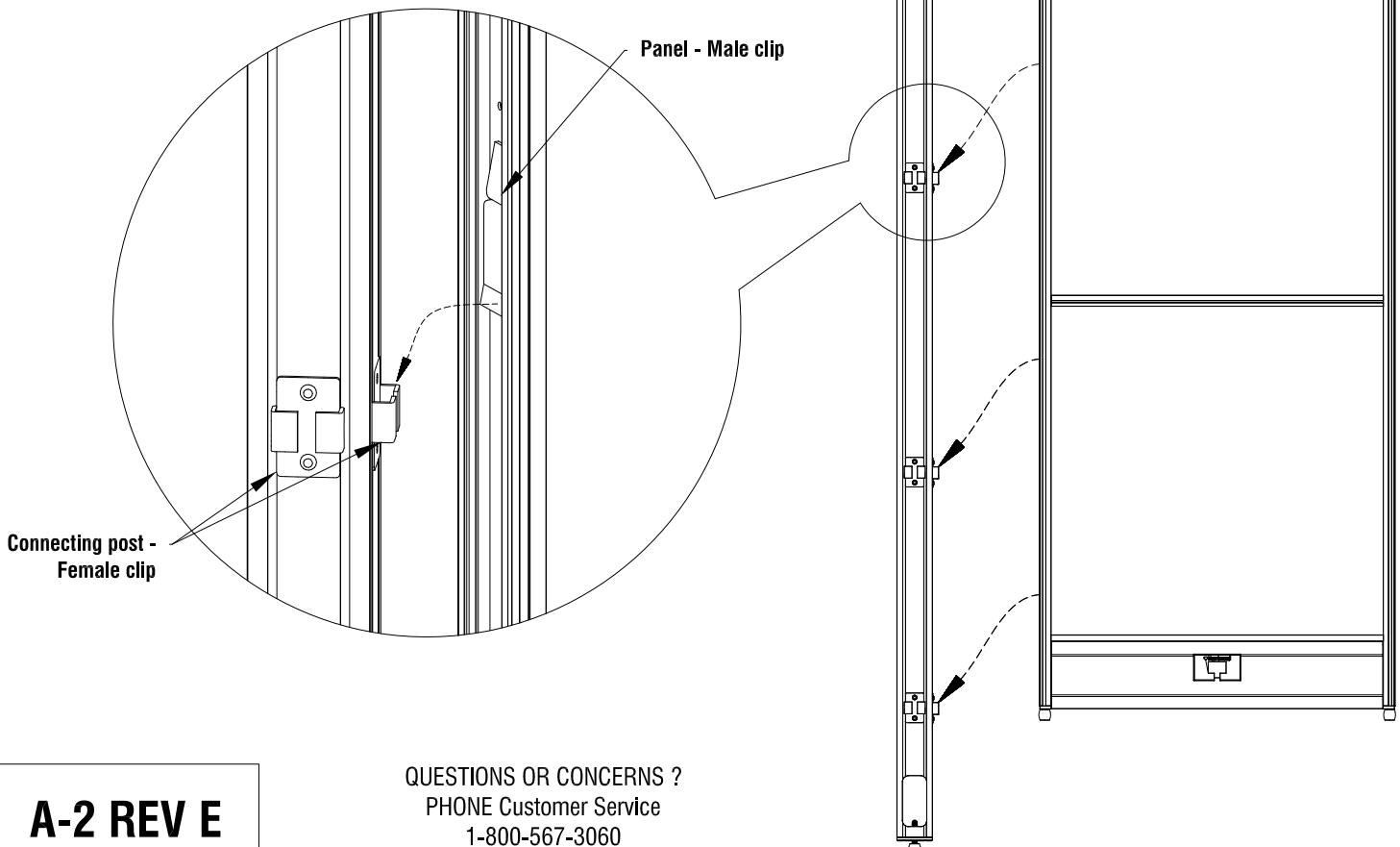
FRM-2466P	} Requires securing screw connection (see Step 2)
FRM-3066P	
FRM-3666P	
FRM-4266P	
FRM-4866P	
FRM-6066P	} Requires securing screw connection (see Step 2)
FRM-6666P	
FRM-7266P	
FRM-2448P	
FRM-3048P	
FRM-3648P	} Requires securing screw connection (see Step 2)
FRM-4248P	
FRM-4848P	
FRM-2466GP	
FRM-3066GP	
FRM-3666GP	

**POSTS:**

FRM-66SQP-4W
FRM-48SQP-4W
FRM-66SQP-3W
FRM-48SQP-3W
FRM-66SQP-2W
FRM-48SQP-2W
FRM-66TRP-3W
FRM-48TRP-3W
FRM-48TRP-2W
FRM-66SQP-2S
FRM-48SQP-2S
FRM-66SQP-1W
FRM-48SQP-1W
FRM-48REC-1W
FRM-66REC-1W
FRM-48REC-2S
FRM-66REC-2S

1. To attach a panel to a connecting post, lift the panel and place it flush to the connecting post then slide down to engage the clips.

**CLIP ATTACHMENT**  
Male clip (top) attaches to female clip (bottom) as shown here.

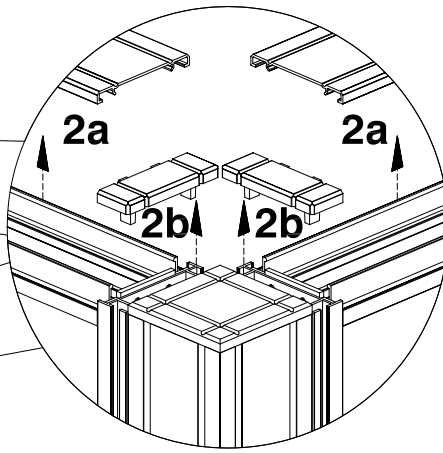
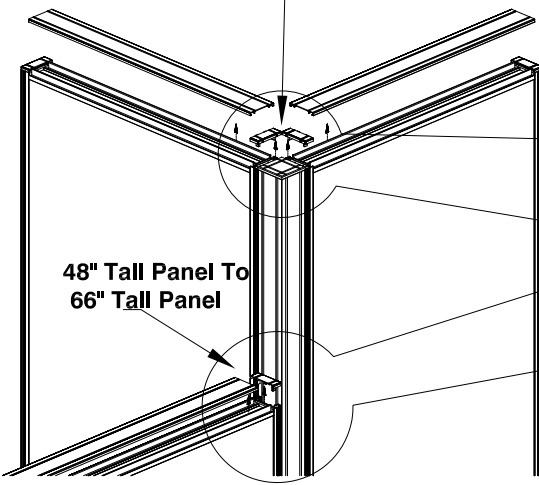


**A-2 REV E**

December 3, 2015

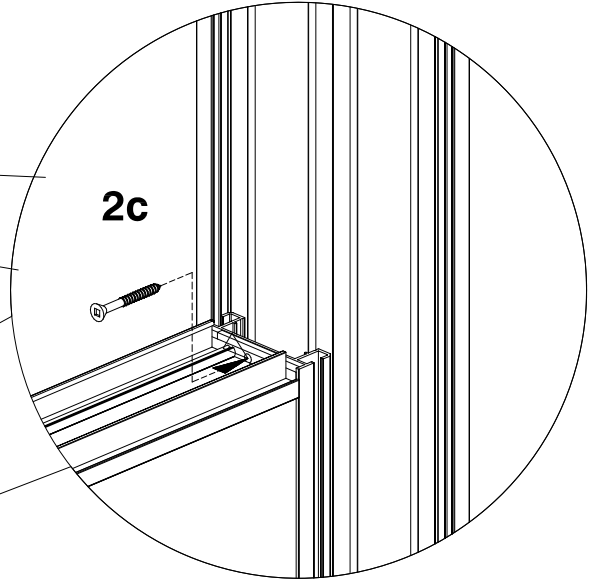
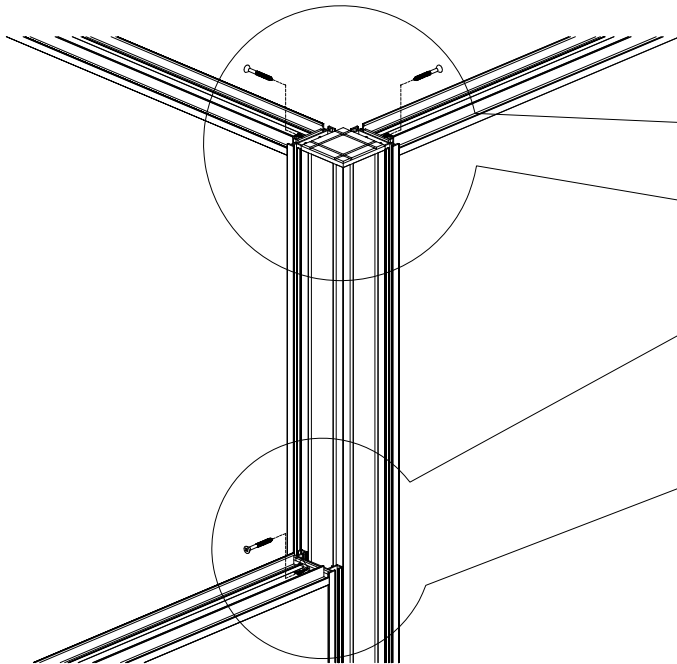
QUESTIONS OR CONCERNS ?  
PHONE Customer Service  
1-800-567-3060  
1-250-765-4145  
M-F 7am - 4:30 pm PST

66" Tall Panel To 66" Tall Panel

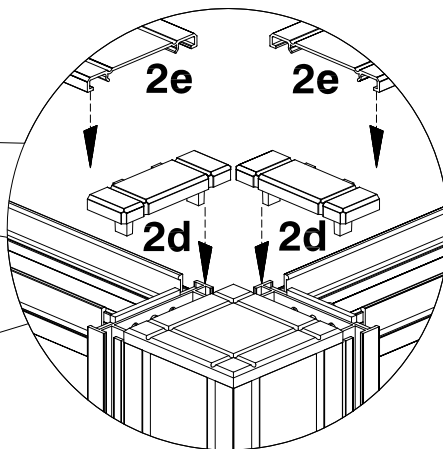
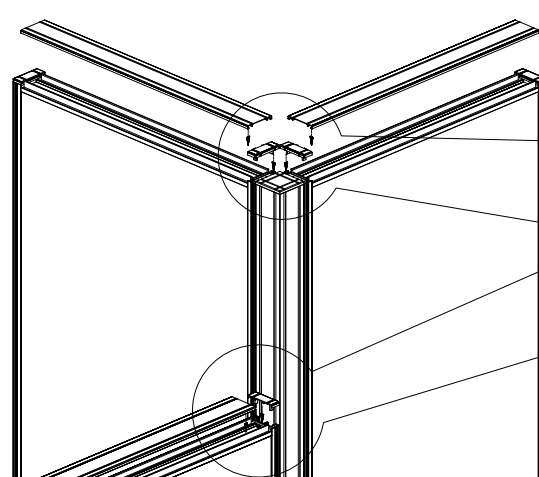


2a. Remove Top Covers.  
2b. Remove Side Pillar Caps.

48" Tall Panel To  
66" Tall Panel



2c. Install Securing Screw(s).



2d. Re-Install Side Pillar Caps.  
2e. Re-Install Top Covers.

**Each Post is supplied with 4 screws. These are only required to attach 24", 30" and 36" Panels to Posts. Therefore you may not necessarily use all screws supplied.**

**A-2 REV E**

December 3, 2015

QUESTIONS OR CONCERNS ?

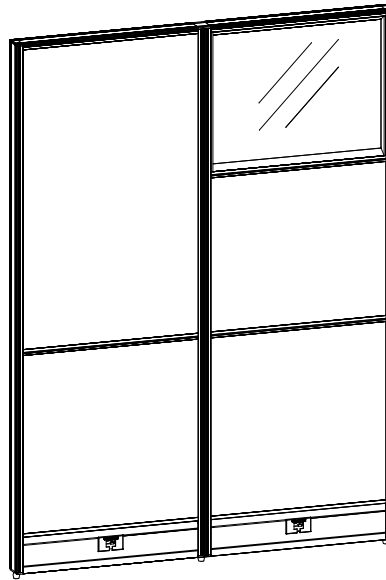
PHONE Customer Service

1-800-567-3060

1-250-765-4145

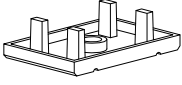
M-F 7am - 4:30 pm PST

# framework



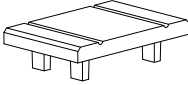
## PANEL CONNECTING KIT MODEL: FRM-PCK

**DOUBLE SIDE  
PILLAR BASE**



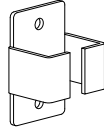
1 PCS

**DOUBLE SIDE  
PILLAR CAP**



1 PCS

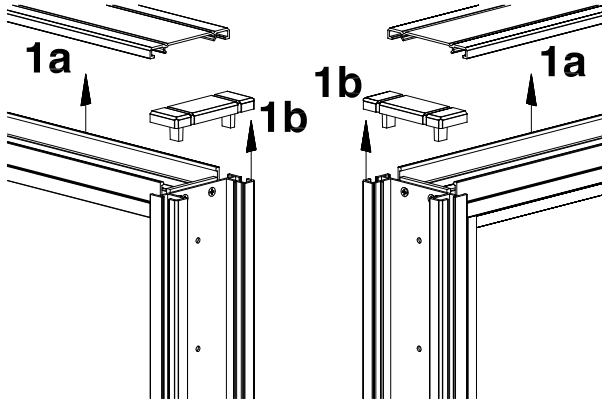
**FEMALE  
CONNECTING  
HOOK**



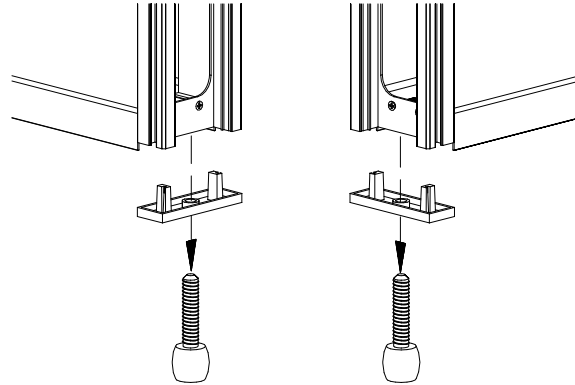
3 PCS

**CAUTION:**  
OFFICE FURNITURE IS HEAVY. ENSURE THAT YOU  
HAVE ADEQUATE ASSISTANCE WHEN LIFTING AND  
MOVING PARTS AND ASSEMBLIES. KEEP  
HARDWARE OUT OF REACH OF CHILDREN

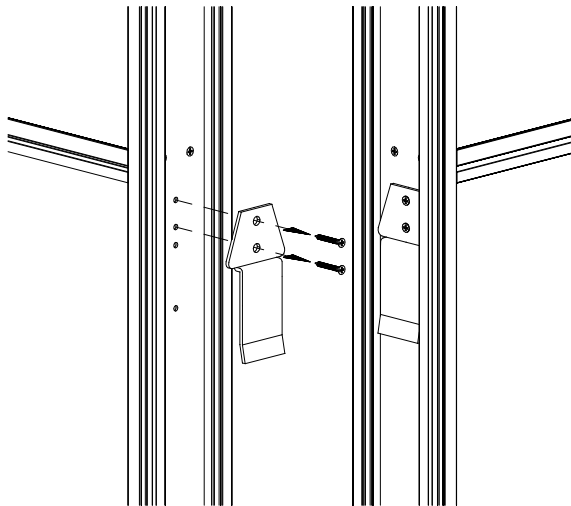
- 1a. Remove Top Covers.
- 1b. Remove side pillar caps.



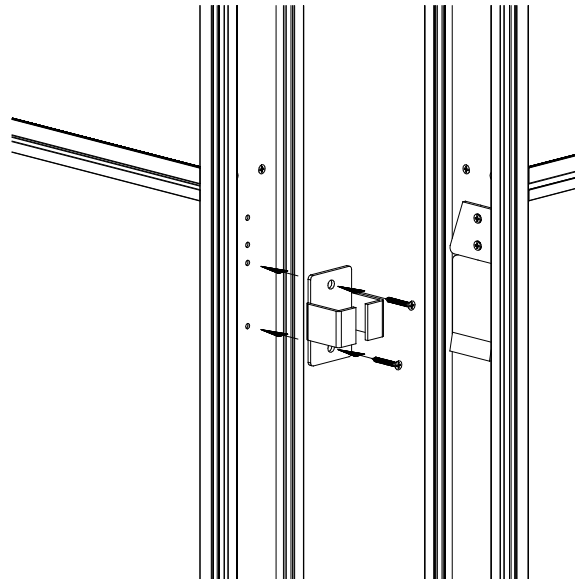
2. Remove the levelers and side pillar base.



3. Remove all male connecting hooks from the connecting side pillar of one of the two panels.



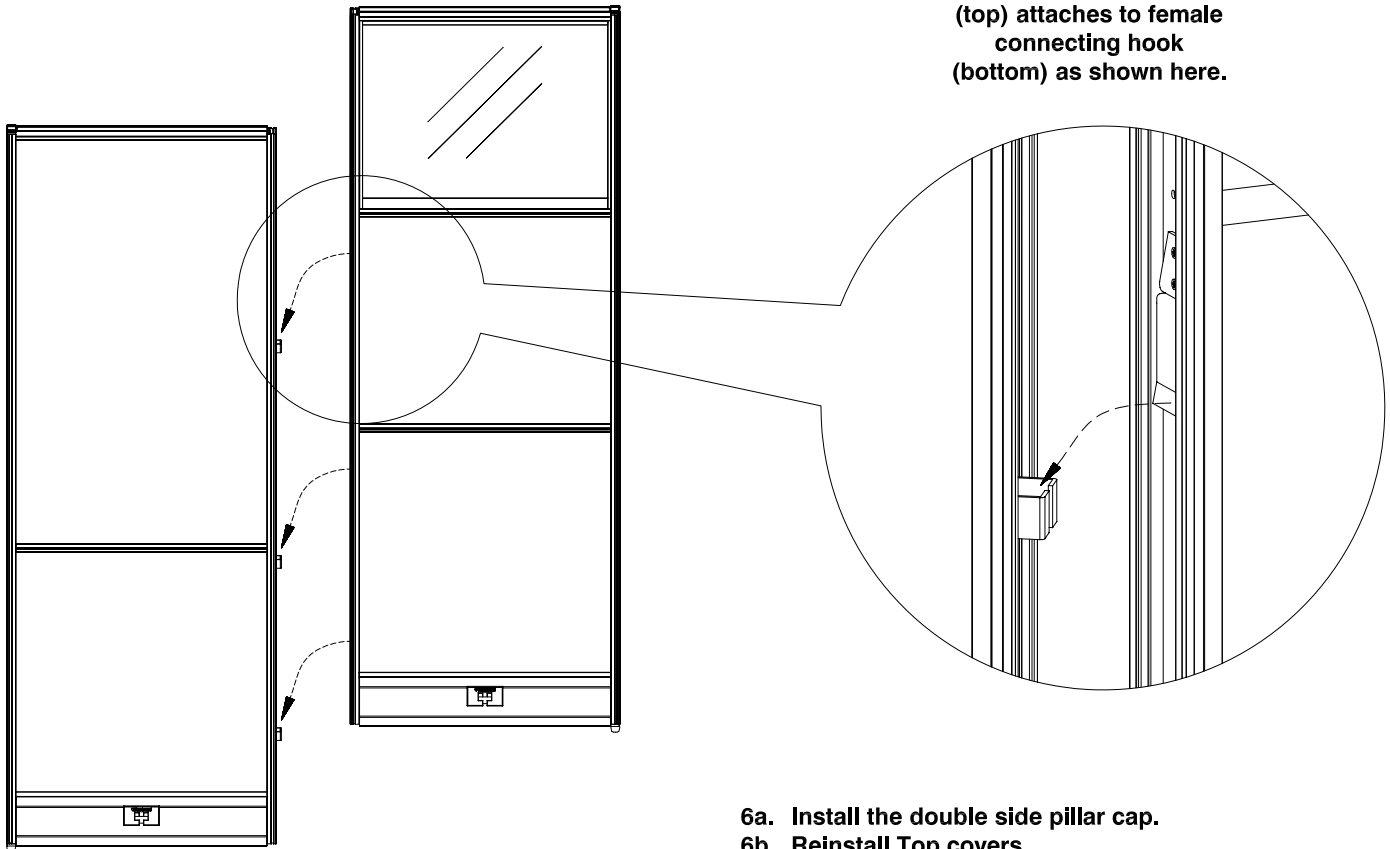
4. Line up the female connecting hooks with holes indicated below. Install one female connecting hook in each instance where a male connection hook was removed. Secure the female connecting hooks with screws removed in Step 3.



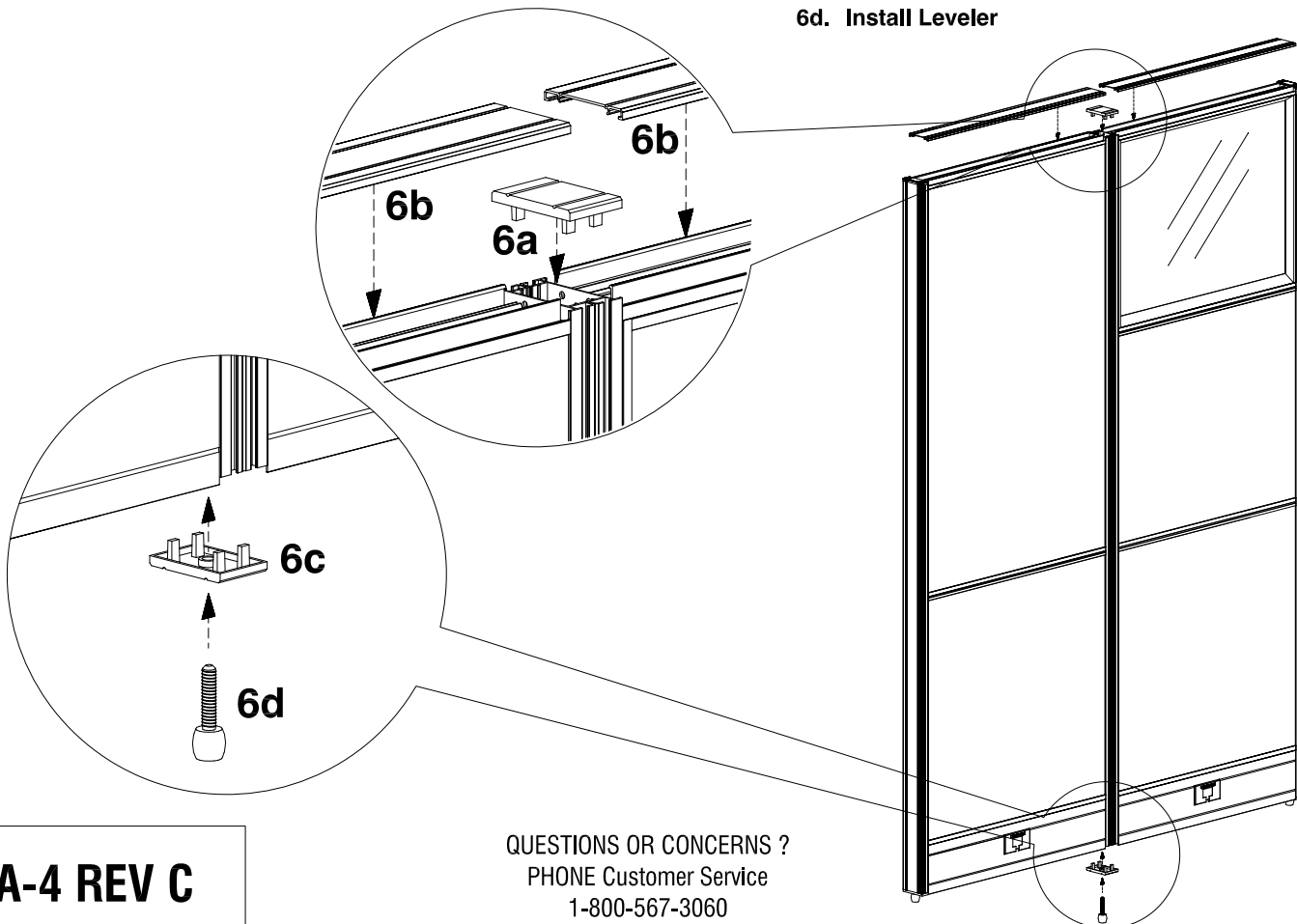
5. Slide the male connecting hook into the female connecting hook to join panels. See hook attachment detail.

**CONNECTING HOOK ATTACHMENT**

Male connecting hook (top) attaches to female connecting hook (bottom) as shown here.



- 6a. Install the double side pillar cap.  
 6b. Reinstall Top covers.  
 6c. Install Double Side Pillar Base  
 6d. Install Leveler



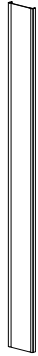
**A-4 REV C**

February 02, 2015

QUESTIONS OR CONCERNS ?  
 PHONE Customer Service  
 1-800-567-3060  
 1-250-765-4145  
 M-F 7am - 4:30 pm PST

PANEL END TRIM

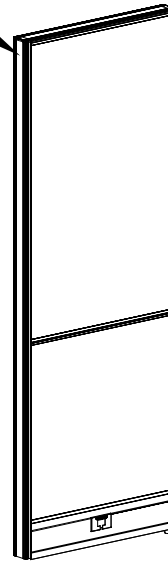
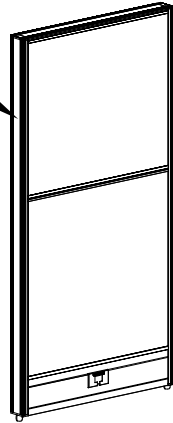
PANEL END TRIM



1 PCS

# framework

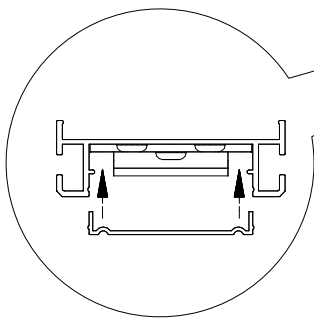
PANEL END TRIM



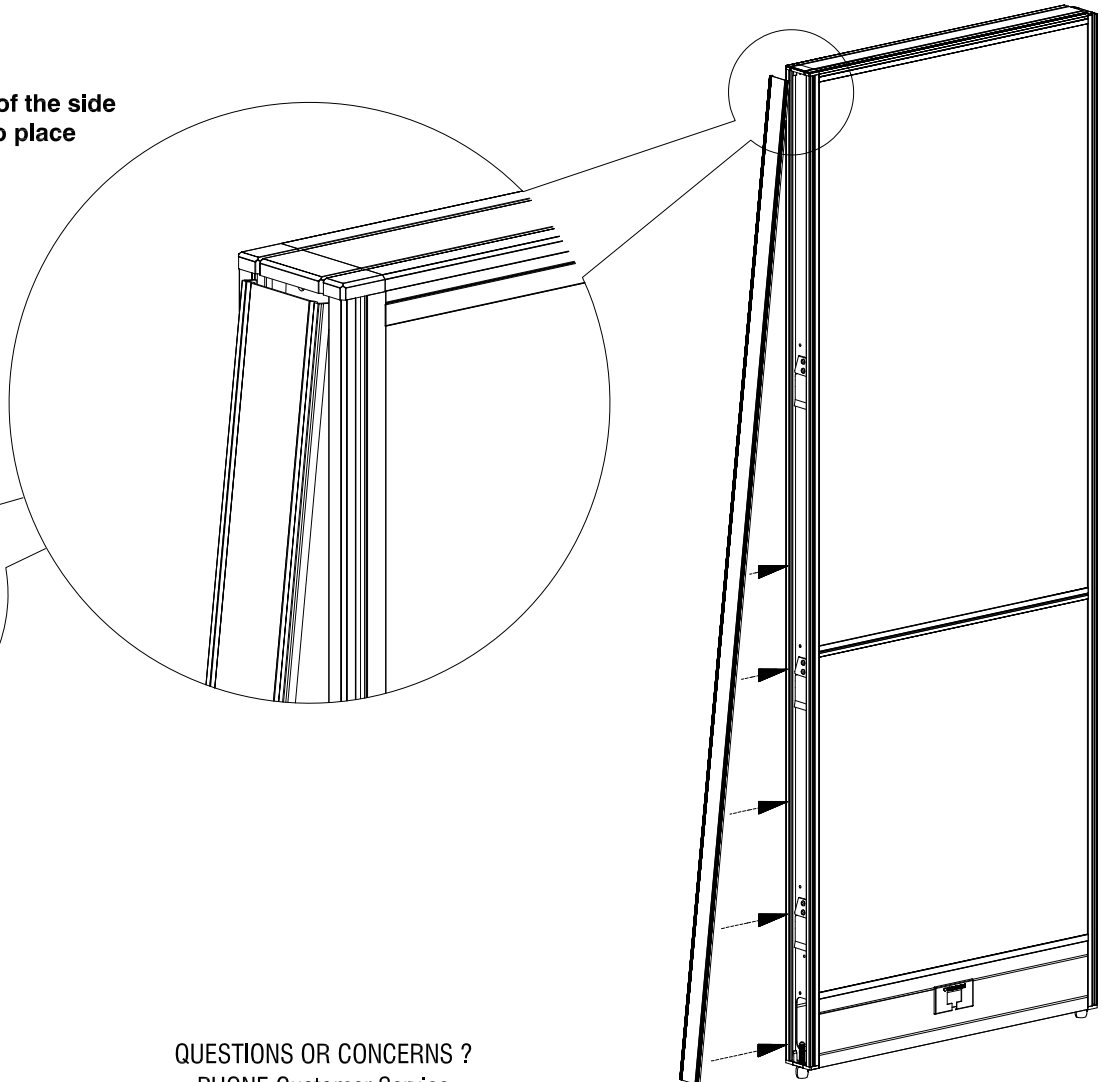
**CAUTION:**  
OFFICE FURNITURE IS HEAVY.  
ENSURE THAT YOU HAVE  
ADEQUATE ASSISTANCE WHEN  
LIFTING AND MOVING PARTS AND  
ASSEMBLIES. KEEP HARDWARE  
OUT OF REACH OF CHILDREN

**PANEL END TRIM  
MODELS: FRM-66PET  
FRM-48PET**

1. Align trim with the top of the side pillar and snap trim into place



**Top View**  
Trim fits into side pillar  
as shown here.

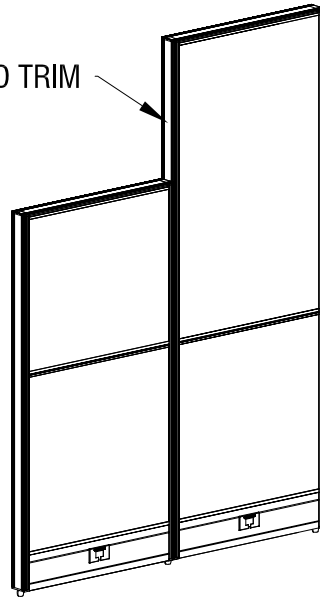


QUESTIONS OR CONCERNS ?  
PHONE Customer Service  
1-800-567-3060  
1-250-765-4145  
M-F 7am - 4:30 pm PST

**A-5 REV C**

January 29, 2015

PANEL END TRIM



**PANEL END TRIM  
MODEL: FRM-18PET**

**PANEL END  
TRIM**

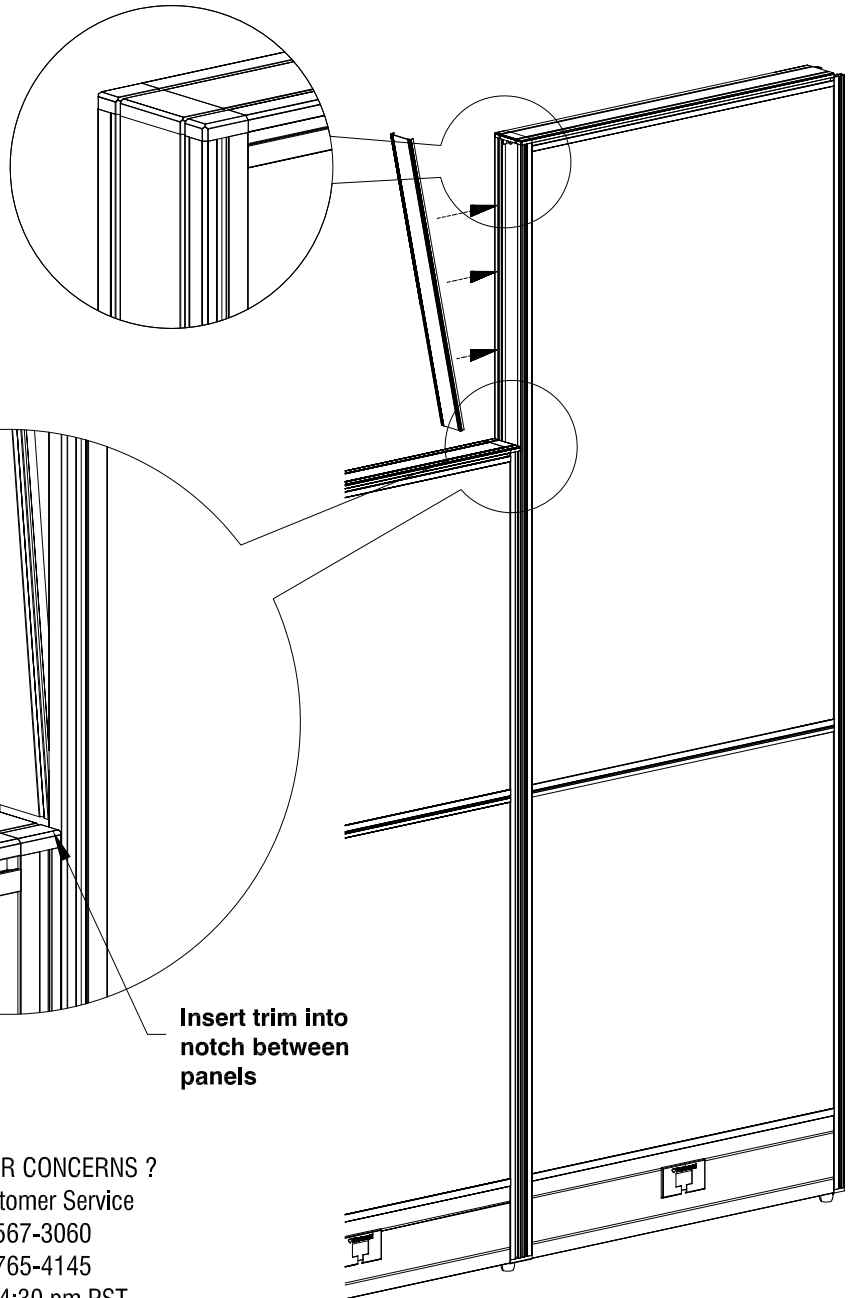


**1 PCS**

# framework

**CAUTION:**  
OFFICE FURNITURE IS HEAVY. ENSURE  
THAT YOU HAVE ADEQUATE ASSISTANCE  
WHEN LIFTING AND MOVING PARTS AND  
ASSEMBLIES. KEEP HARDWARE OUT OF  
REACH OF CHILDREN

1. Slip panel end trim into the notch where the two panels meet and snap trim into place by sliding the trim towards the top of the side pillar.



**Top View**  
Trim fits into side pillar  
as shown here.

**Insert trim into  
notch between  
panels**

QUESTIONS OR CONCERNS ?  
PHONE Customer Service  
1-800-567-3060  
1-250-765-4145  
M-F 7am - 4:30 pm PST

**A-6 REV C**

January 29, 2015