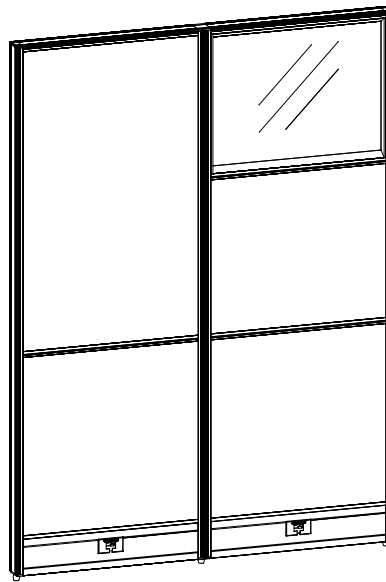
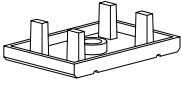


framework



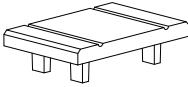
PANEL CONNECTING KIT MODEL: FRM-PCK

**DOUBLE SIDE
PILLAR BASE**



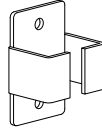
1 PCS

**DOUBLE SIDE
PILLAR CAP**



1 PCS

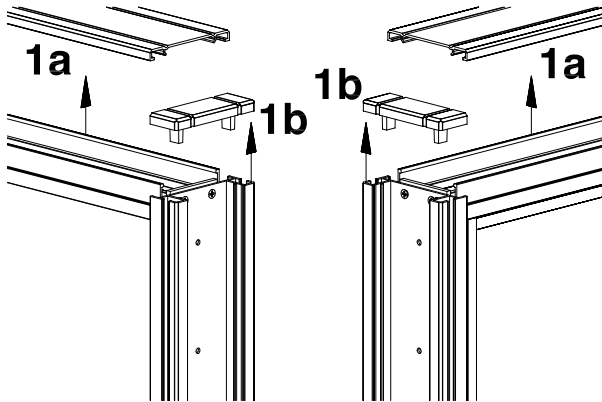
**FEMALE
CONNECTING
HOOK**



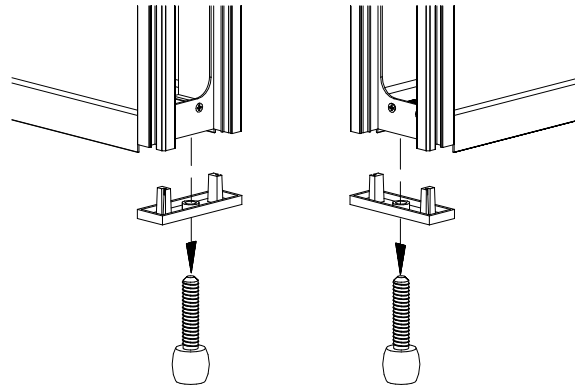
3 PCS

CAUTION:
OFFICE FURNITURE IS HEAVY. ENSURE THAT YOU
HAVE ADEQUATE ASSISTANCE WHEN LIFTING AND
MOVING PARTS AND ASSEMBLIES. KEEP
HARDWARE OUT OF REACH OF CHILDREN

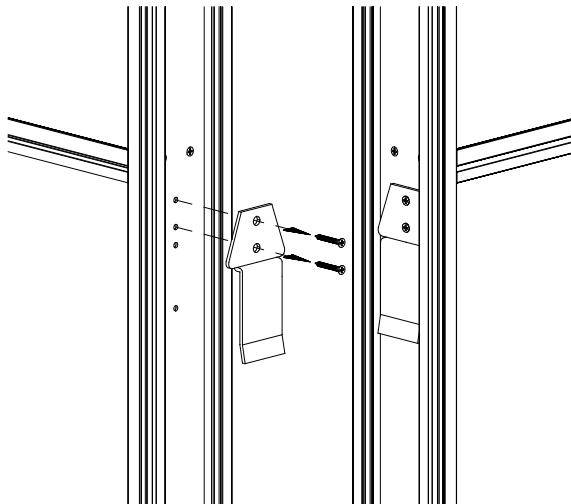
- 1a. Remove Top Covers.
- 1b. Remove side pillar caps.



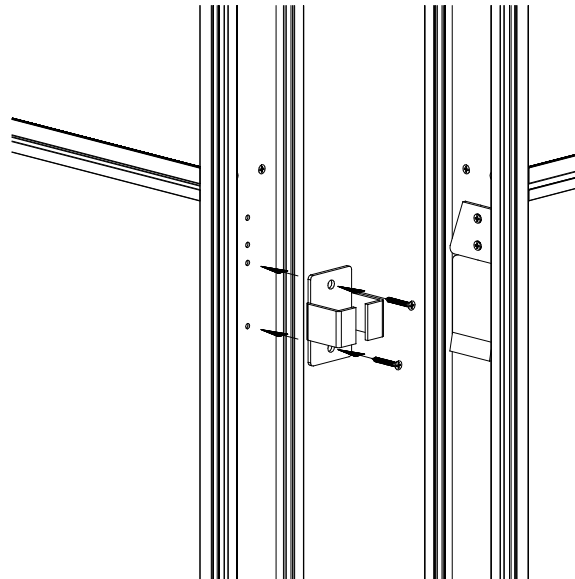
2. Remove the levelers and side pillar base.



3. Remove all male connecting hooks from the connecting side pillar of one of the two panels.



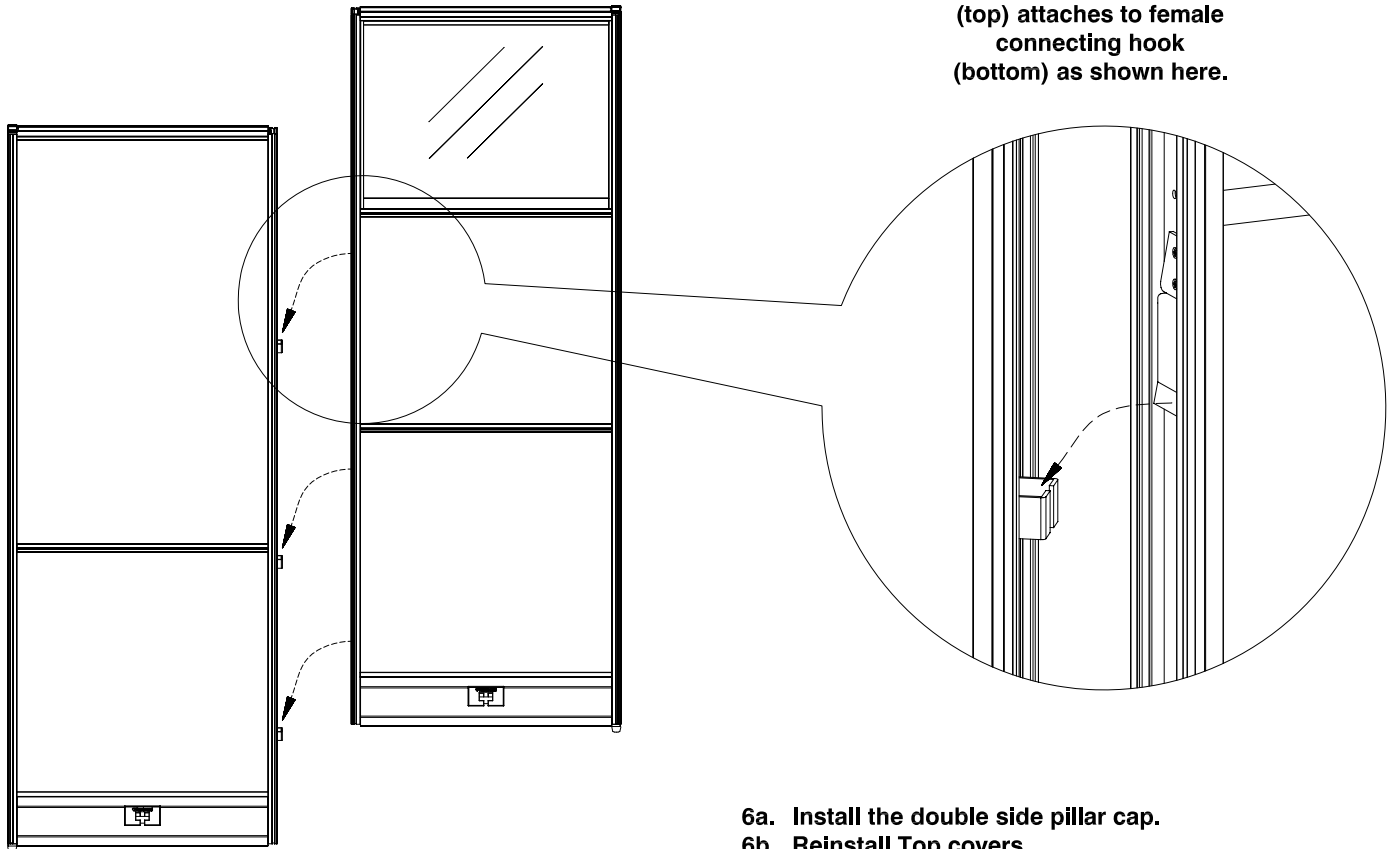
4. Line up the female connecting hooks with holes indicated below. Install one female connecting hook in each instance where a male connection hook was removed. Secure the female connecting hooks with screws removed in Step 3.



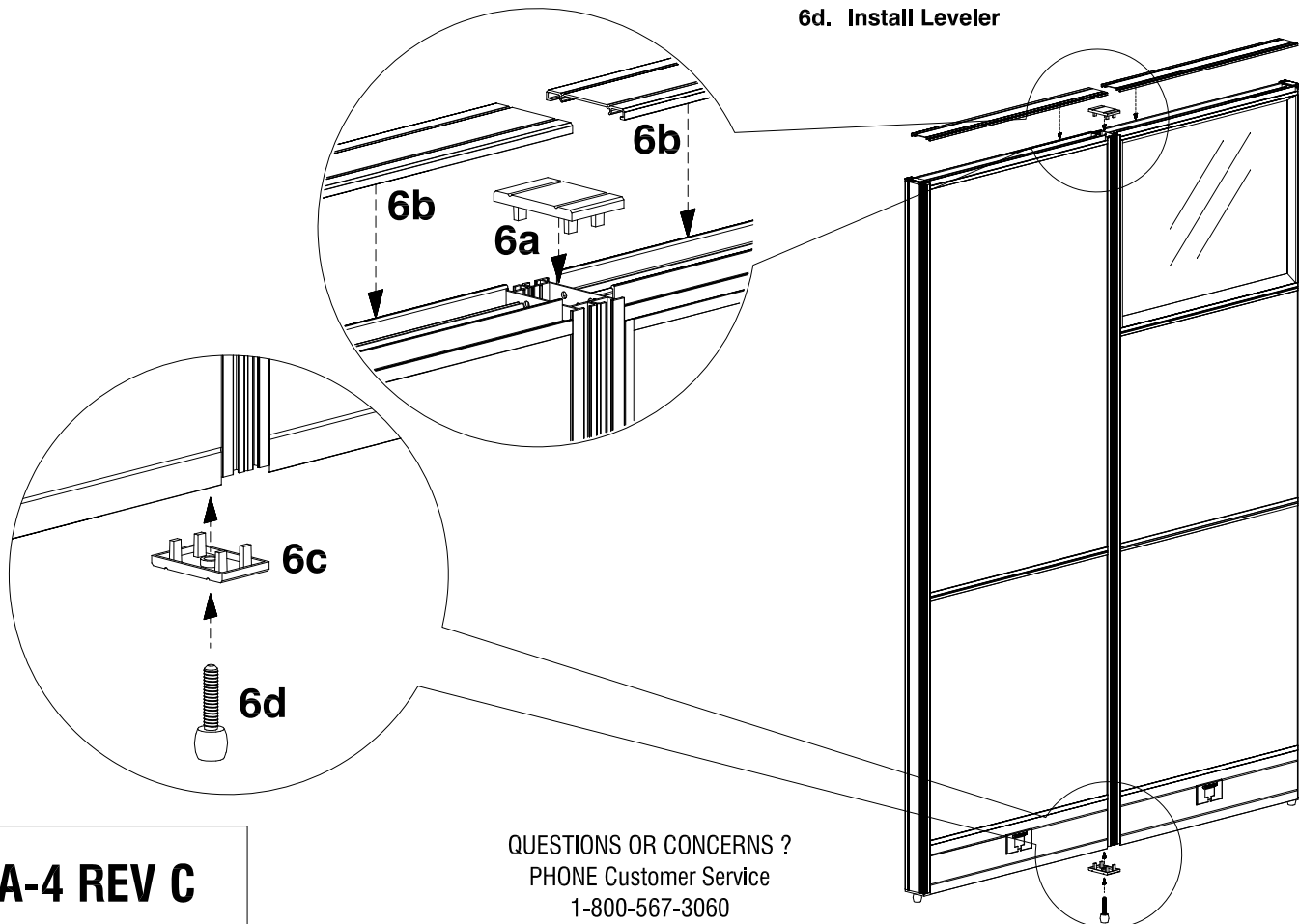
5. Slide the male connecting hook into the female connecting hook to join panels. See hook attachment detail.

CONNECTING HOOK ATTACHMENT

Male connecting hook (top) attaches to female connecting hook (bottom) as shown here.



- 6a. Install the double side pillar cap.
- 6b. Reinstall Top covers.
- 6c. Install Double Side Pillar Base
- 6d. Install Leveler



A-4 REV C

February 02, 2015

QUESTIONS OR CONCERNS ?
PHONE Customer Service
1-800-567-3060
1-250-765-4145
M-F 7am - 4:30 pm PST