

PANEL TO CONNECTING POST INSTALLATION

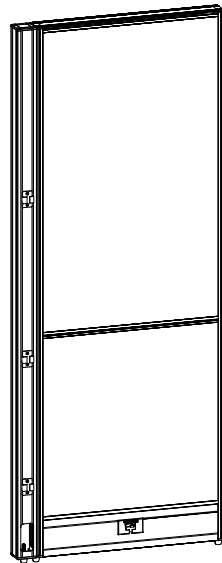
MODELS:

PANELS:
 FRM-2466P } Requires securing
 FRM-3066P } screw connection
 FRM-3666P } (see Step 2)

FRM-4266P
 FRM-4866P
 FRM-6066P
 FRM-6666P
 FRM-7266P
 FRM-2448P } Requires securing
 FRM-3048P } screw connection
 FRM-3648P } (see Step 2)

FRM-4248P
 FRM-4848P
 FRM-2466GP } Requires securing
 FRM-3066GP } screw connection
 FRM-3666GP } (see Step 2)

POSTS:
 FRM-66SQP-4W
 FRM-48SQP-4W
 FRM-66SQP-3W
 FRM-48SQP-3W
 FRM-66SQP-2W
 FRM-48SQP-2W
 FRM-66TRP-3W
 FRM-48TRP-3W

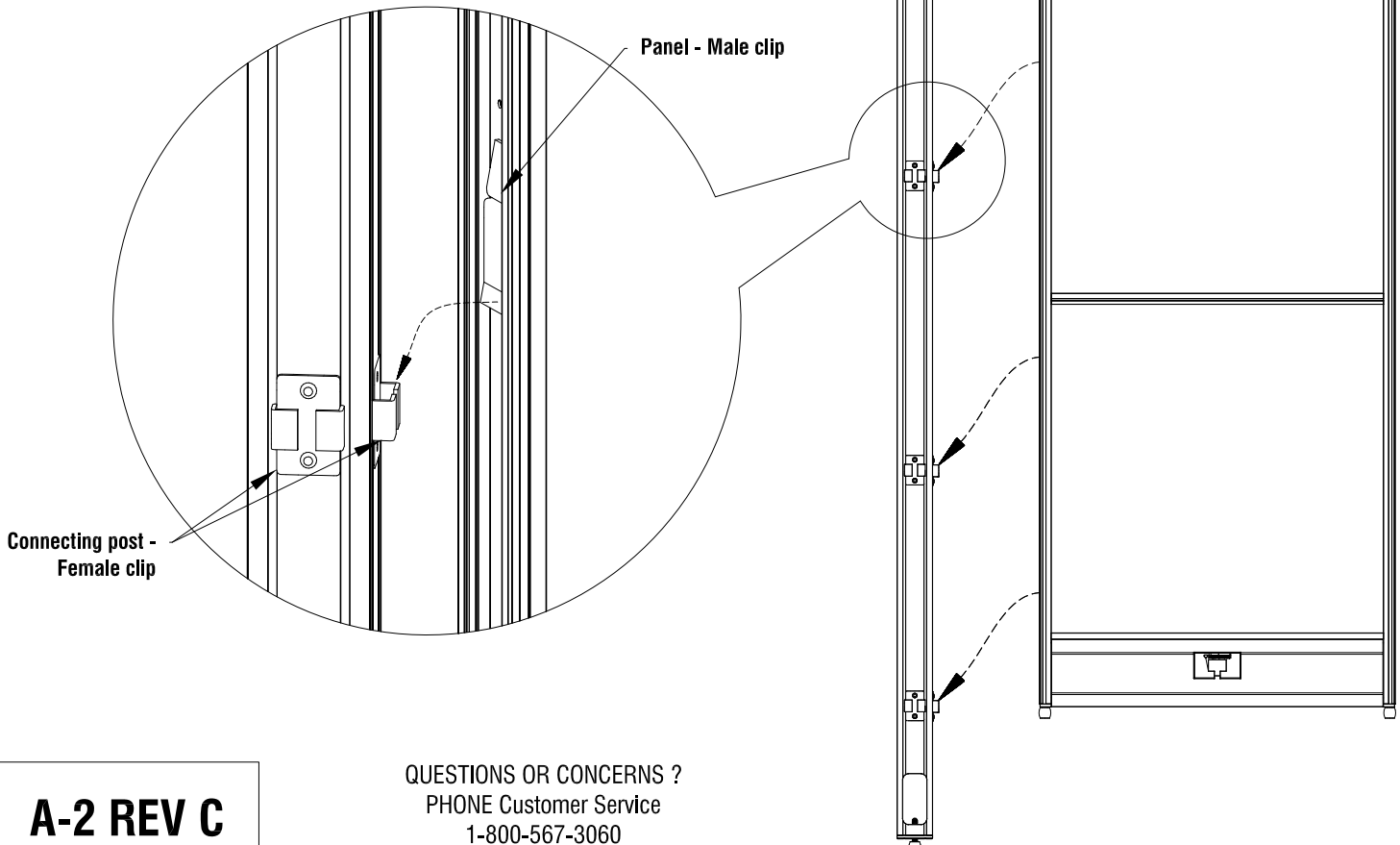


CAUTION:

OFFICE FURNITURE IS HEAVY. ENSURE THAT YOU HAVE ADEQUATE ASSISTANCE WHEN LIFTING AND MOVING PARTS AND ASSEMBLIES. KEEP HARDWARE OUT OF REACH OF CHILDREN

1. To attach a panel to a connecting post, lift the panel and place it flush to the connecting post then slide down to engage the clips.

CLIP ATTACHMENT
 Male clip (top) attaches to female clip (bottom) as shown here.



A-2 REV C

May 4, 2015

QUESTIONS OR CONCERNS ?

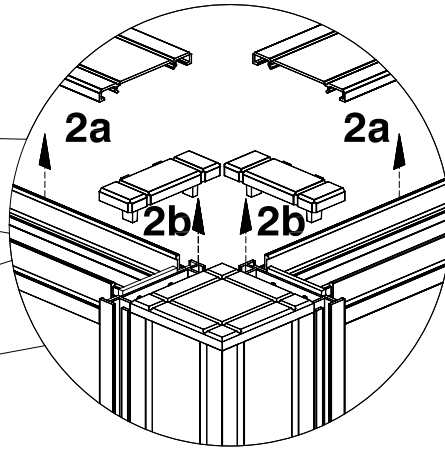
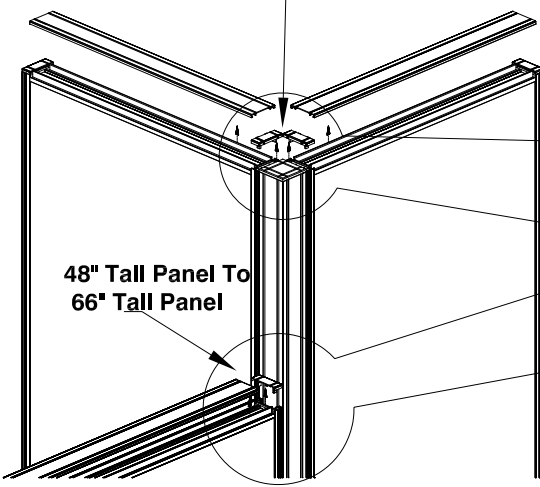
PHONE Customer Service

1-800-567-3060

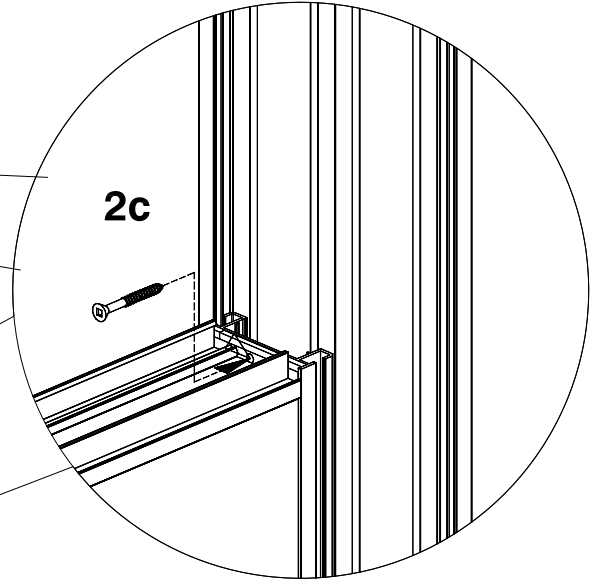
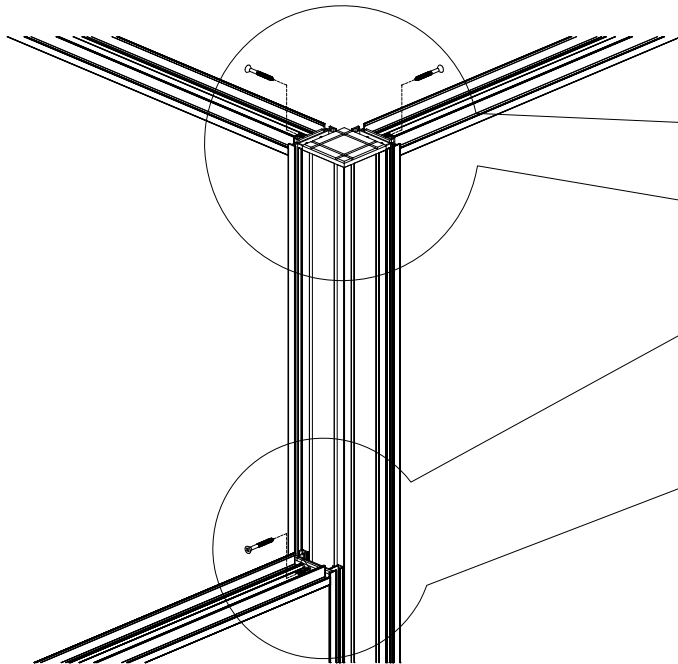
1-250-765-4145

M-F 7am - 4:30 pm PST

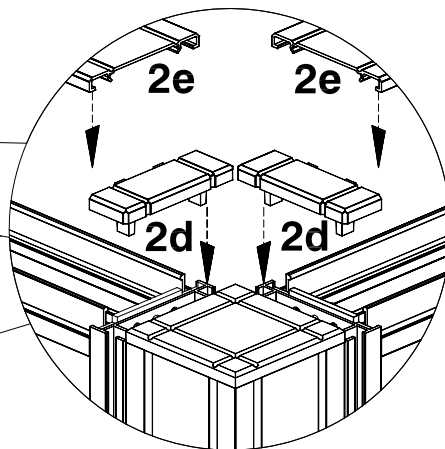
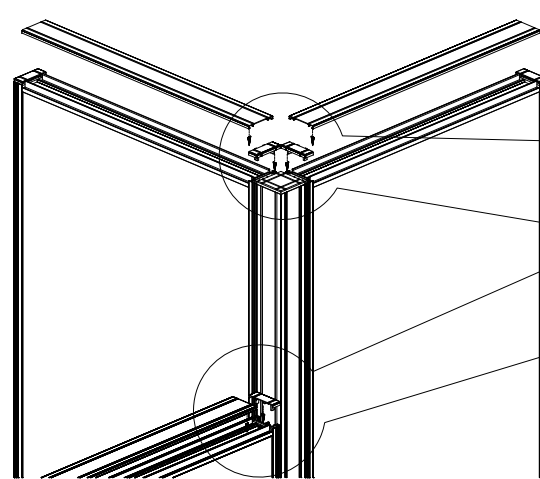
66" Tall Panel To 66" Tall Panel



2a. Remove Top Covers.
2b. Remove Side Pillar Caps.



2c. Install Securing Screw(s).



2d. Re-Install Side Pillar Caps.
2e. Re-Install Top Covers.

Each Post is supplied with 4 screws. These are only required to attach 24", 30" and 36" Panels to Posts. Therefore you may not necessarily use all screws supplied.

A-2 REV C

May 4, 2015

QUESTIONS OR CONCERNS ?

PHONE Customer Service

1-800-567-3060

1-250-765-4145

M-F 7am - 4:30 pm PST