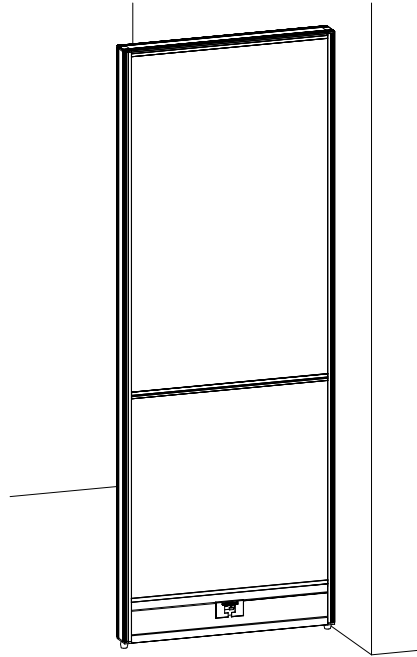
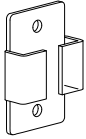


framework



PANEL TO WALL INSTALLATION MODEL: FRM-FWMB

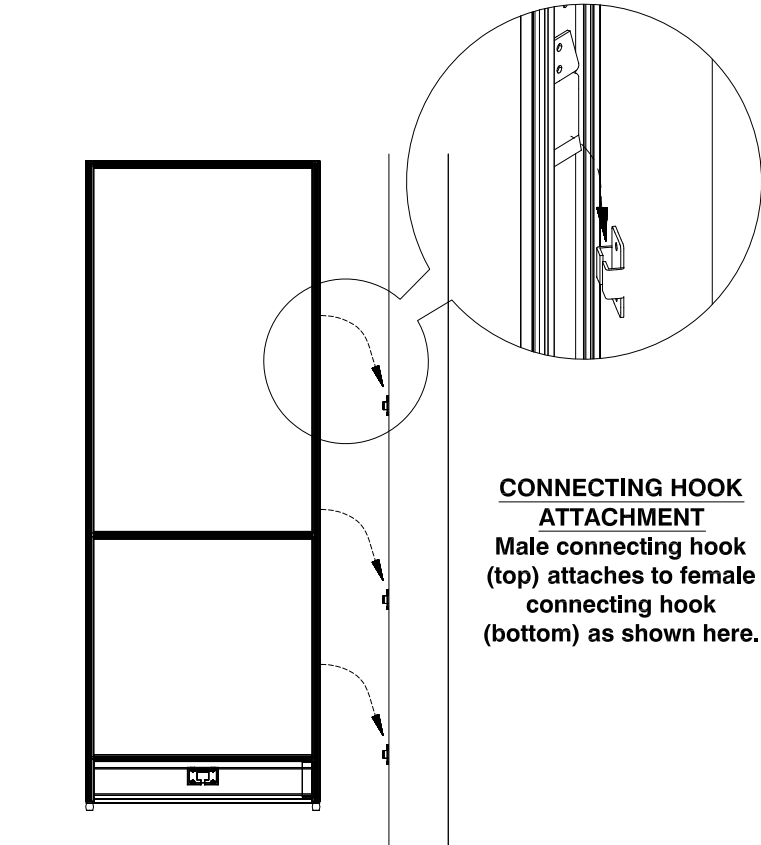
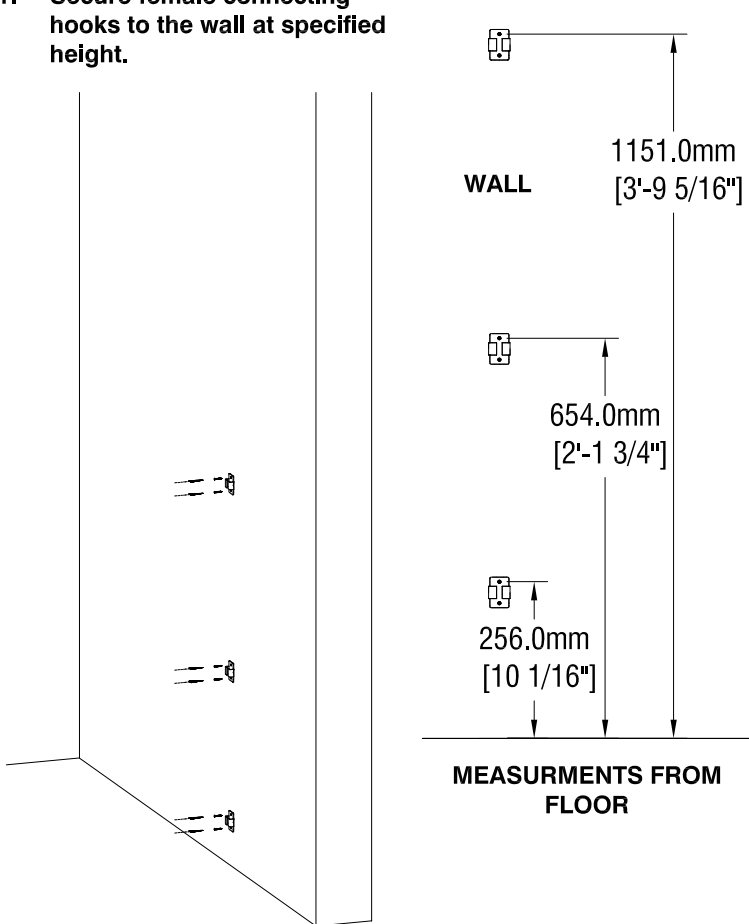
FEMALE CONNECTING
HOOK



3 PCS

CAUTION:
OFFICE FURNITURE IS HEAVY.
ENSURE THAT YOU HAVE
ADEQUATE ASSISTANCE WHEN
LIFTING AND MOVING PARTS AND
ASSEMBLIES. KEEP HARDWARE
OUT OF REACH OF CHILDREN

1. Secure female connecting hooks to the wall at specified height.



**CONNECTING HOOK
ATTACHMENT**
Male connecting hook
(top) attaches to female
connecting hook
(bottom) as shown here.

2. Slide the male connecting hook into the female connecting hook to secure panel to wall. See hook attachment detail.

* BECAUSE WALL CONSTRUCTION CAN VARY WIDELY, YOUR INSTALLER MUST ENSURE THEY USE THE PROPER INSTALLATION HARDWARE FOR THE TYPE OF WALL THEY ARE MOUNTING TO.

A-13 REV A

February 25, 2015

QUESTIONS OR CONCERNS ?
PHONE Customer Service
1-800-567-3060
1-250-765-4145
M-F 7am - 4:30 pm PST